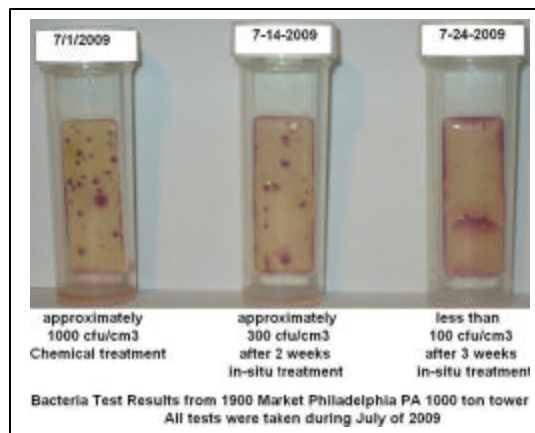




600 Robitaille - Shefford - Qc- Canada J2M 1X2  
Tel: 450 -378-6825 Fax: 450 - 777-0264  
e-mail: [engineering@ozomax.com](mailto:engineering@ozomax.com)  
<http://www.ozomax.com>

## COOLING TOWER APPLICATION



## INTRODUCTION

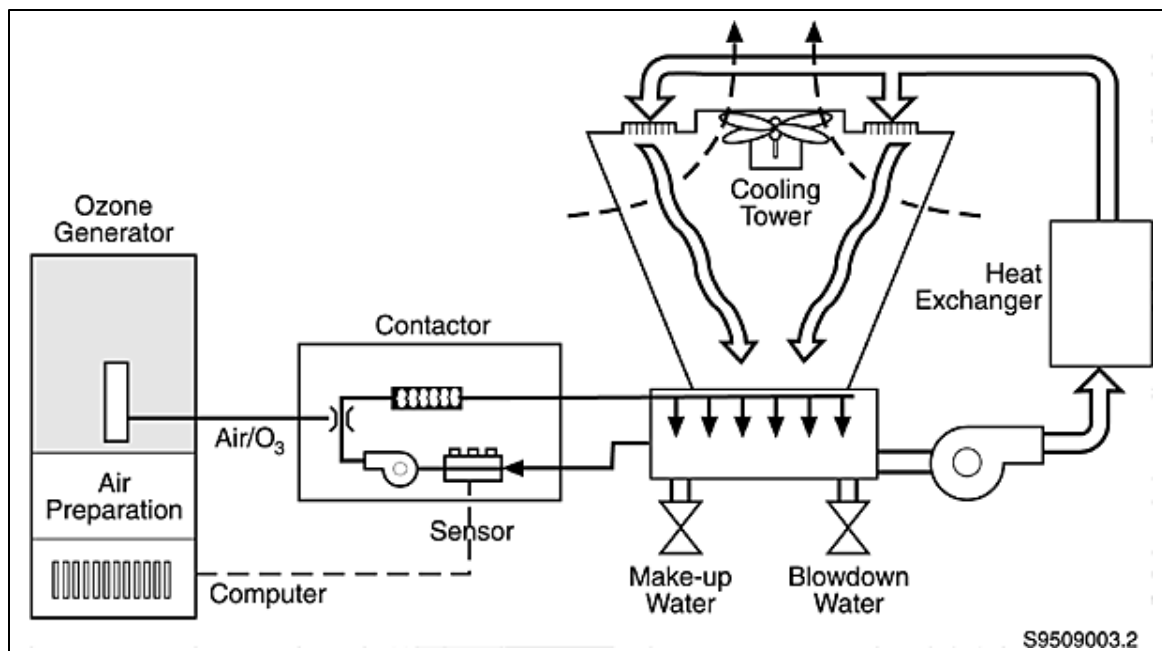
Ozomax technologies for cooling tower are proven to provide almost chemical free treatment for cooling towers. Ozomax have of two Patented technologies which can be used depending on size & water source ( fresh or sea /brakish water)

- 1- Gaseous Ozone treatment
- 2- INSITU Ozone treatment

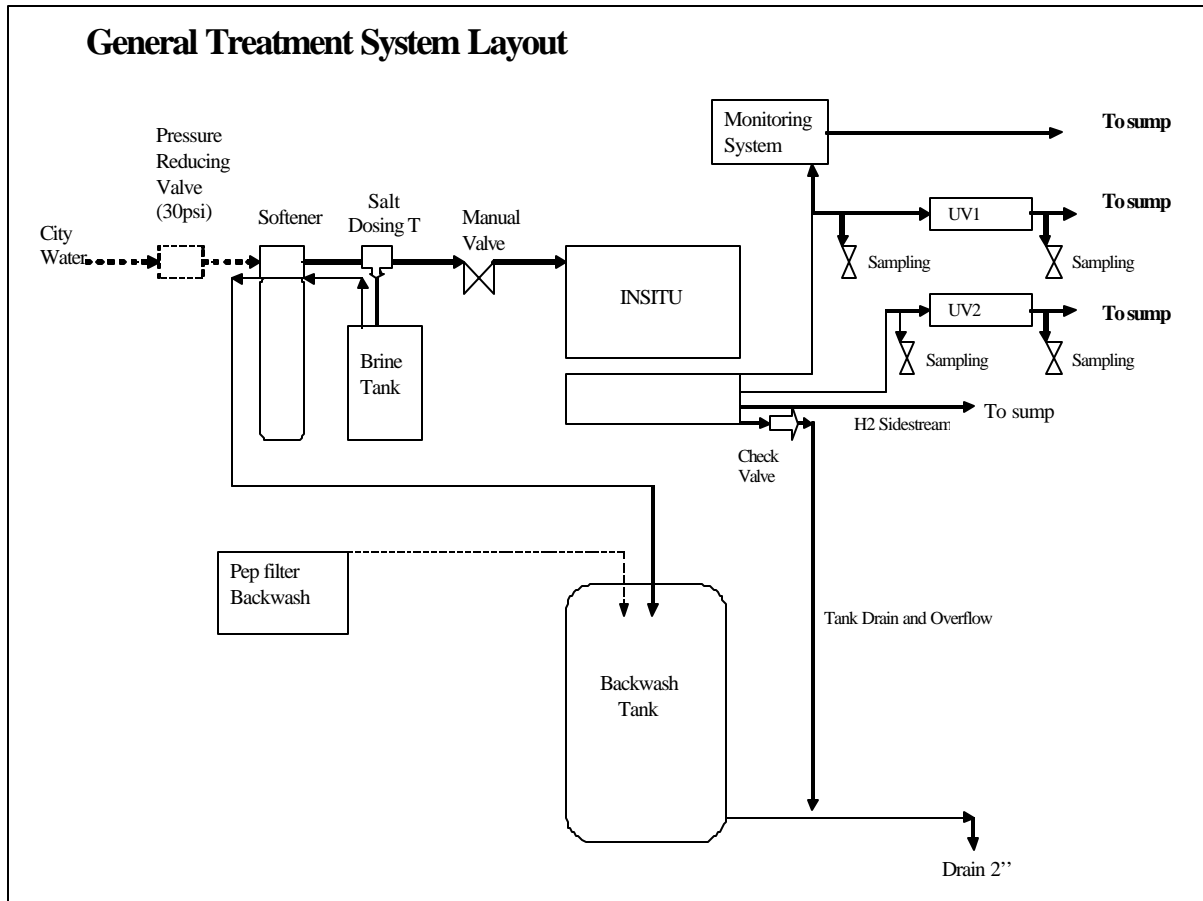
The savings of using O<sub>3</sub> in cooling tower treatment is well known and can be summarized as follows:

- 1- Chemical reduction by 75 % to 100 %
- 2- Less blow down
- 3- Better heat transfer
- 4- Low energy consumption
- 5- Little maintenance
- 6- Green technology
- 7- Less corrosion produced by bio-films & fouling

## 1- GASEOUS OZONE TYPICAL INSTALLATIONS



## 2- INSITU OZONE TREATMENT



## Typical Ozonation pictures



**INSITU Module**

## Gaseous Ozone units

100 g/hr



600 g/hr



1000 g/hr



**10 000 g/hr unit**

